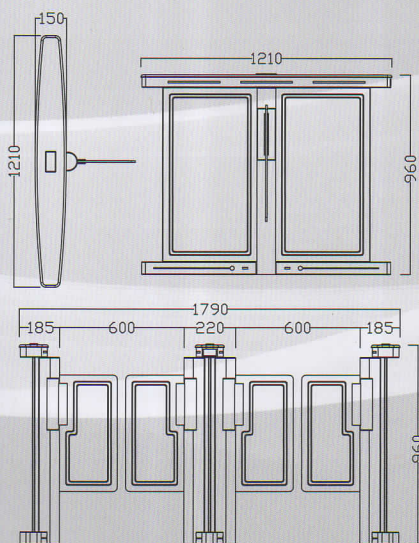


### B323



#### Technical data:

1. Size : 1210x185x960mm;
2. Unlock time: 0.2s ;
3. Pass rate: 35person /min;
4. Pass width: ≤600mm;
5. Input : 100V~240V;
6. Driving voltage: 24v;
7. Environment: -25~+70°C;
8. Power consumption: 35w;
9. Input: dry contact.

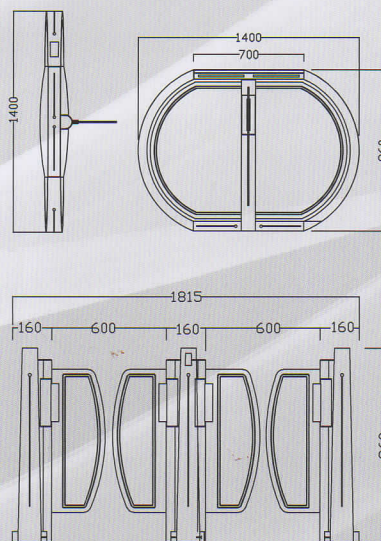


### B3011



#### Technical data:

1. Size: 1400x160x960mm;
2. Unlock time: 0.2s ;
3. Pass rate: 35person /min;
4. Pass width: ≤600mm;
5. Input : 100V~240V;
6. Driving voltage: 24v;
7. Environment: -25~+70°C;
8. Power consumption: 35w;
9. Input: dry contact.



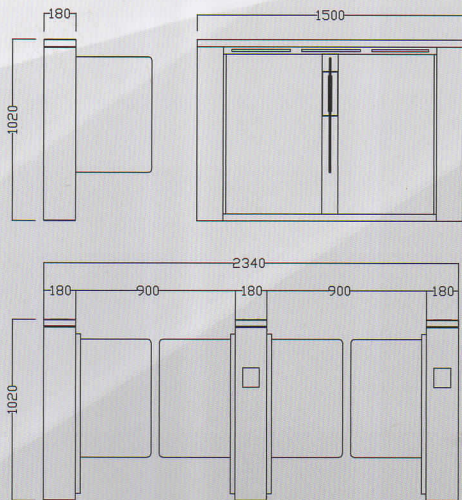


### B302

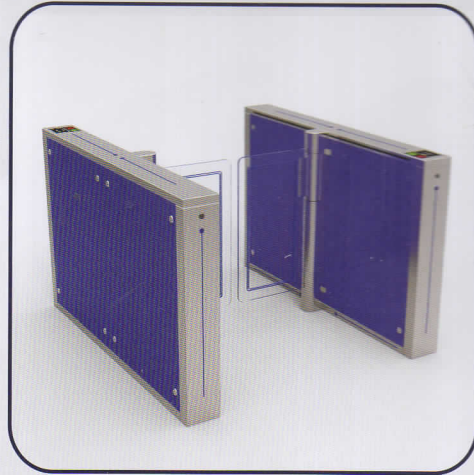


#### Technical data:

1. Size: 1500x180x1020mm;
2. Unlock time: 0.2s ;
3. Pass rate: 35person /min;
4. Pass width: ≤900mm;
5. Input : 100V~240V;
6. Driving voltage: 24v;
7. Environment: -25~+70°C;
8. Power consumption: 35w;
9. Input: dry contact.

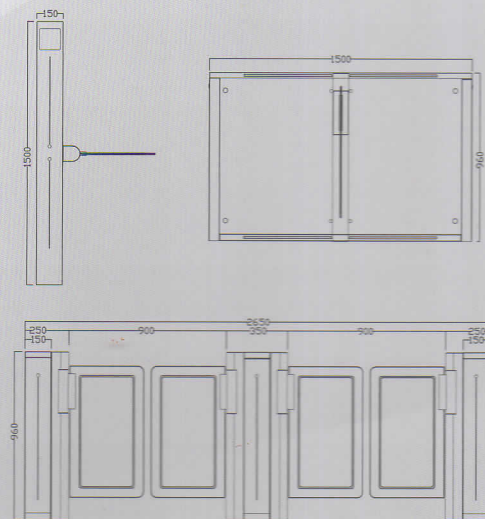


### B325



#### Technical data:

1. Size: 1500x150x960mm;
2. Unlock time: 0.2s ;
3. Pass rate: 35person /min;
4. Pass width: ≤900mm;
5. Input : 100V~240V;
6. Driving voltage: 24v;
7. Environment: -25~+70°C;
8. Power consumption: 35w;
9. Input: dry contact.



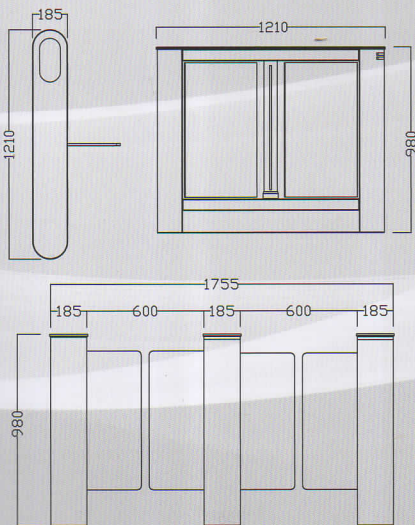


### B301

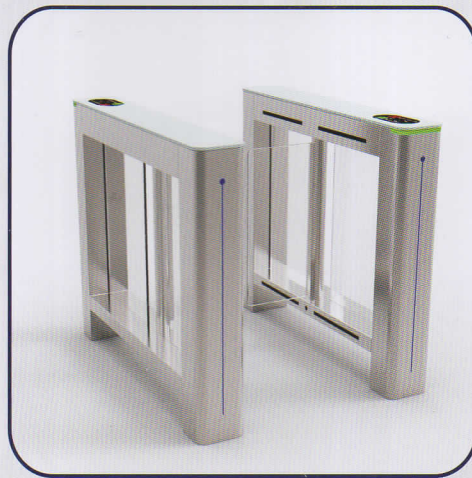


#### Technical data:

1. Size: 1210x185x980mm;
2. Unlock time: 0.2s ;
3. Pass rate: 35person /min;
4. Pass width: ≤600mm;
5. Input : 100V~240V;
6. Driving voltage: 24v;
7. Environment: -25~+70°C;
8. Power consumption: 35w;
9. Input: dry contact.

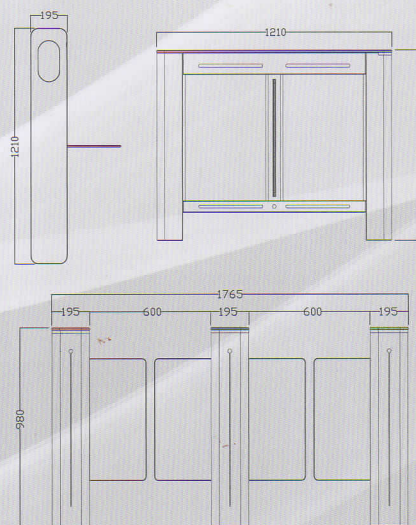


### B341



#### Technical data:

1. Size: 1210x195x980mm;
2. Unlock time: 0.2s ;
3. Pass rate: 35person /min;
4. Pass width: ≤600mm;
5. Input : 100V~240V;
6. Driving voltage: 24v;
7. Environment: -25~+70°C;
8. Power consumption: 35w;
9. Input: dry contact.





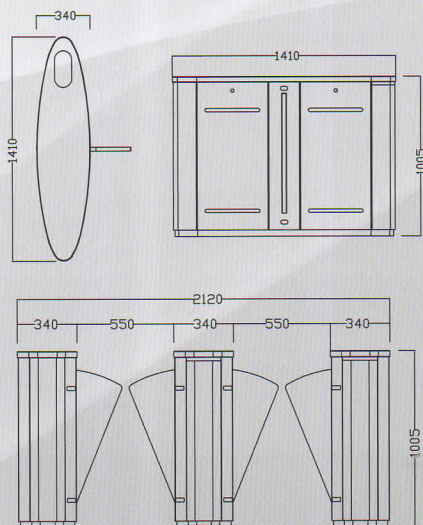


### A203



#### Technical data:

- 1. Size: 1410x340x1005mm;
- 2. Unlock time: 0.2s ;
- 3. Pass rate: 35person /min;
- 4. Pass width: ≤550mm;
- 5. Input : 100V~240V;
- 6. Driving voltage: 24v;
- 7. Environment: -25~+70°C;
- 8. Power consumption: 35w;
- 9. Input: dry contact.

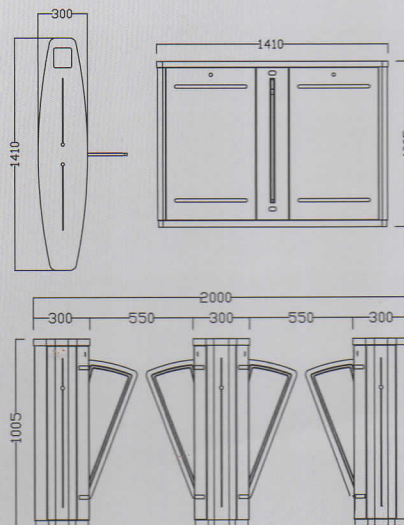


### A221A



#### Technical data:

- 1. Size: 1410x300x1005mm;
- 2. Unlock time: 0.2s ;
- 3. Pass rate: 35person /min;
- 4. Pass width: ≤550mm;
- 5. Input : 100V~240V;
- 6. Driving voltage: 24v;
- 7. Environment: -25~+70°C;
- 8. Power consumption: 35w;
- 9. Input: dry contact.



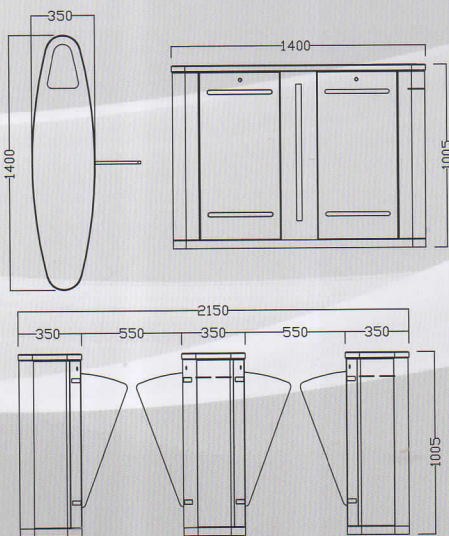


## A207



### Technical data:

1. Size: 1400x350x1005mm;
2. Unlock time: 0.2s ;
3. Pass rate: 35person /min;
4. Pass width: ≤550mm;
5. Input : 100V~240V;
6. Driving voltage: 24v;
7. Environment: -25~+70°C;
8. Power consumption: 35w;
9. Input: dry contact.

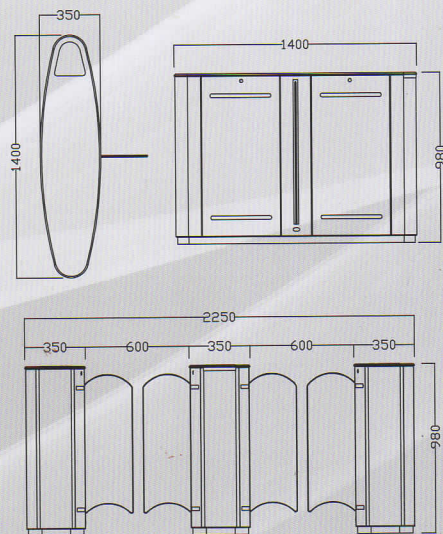


## A607



### Technical data:

1. Size: 1400x350x980mm;
2. Unlock time: 0.2s ;
3. Pass rate: 35person /min;
4. Pass width: ≤600mm;
5. Input : 100V~240V;
6. Driving voltage: 24v;
7. Environment: -25~+70°C;
8. Power consumption: 35w;
9. Input: dry contact.



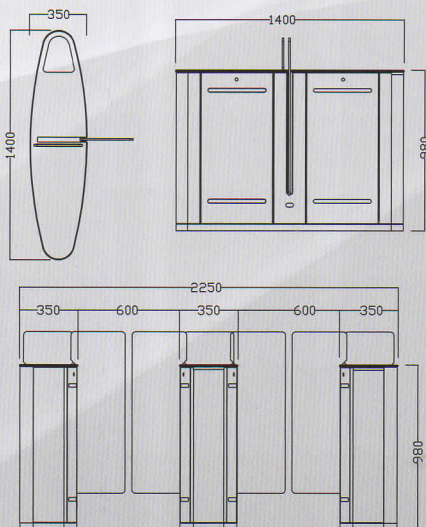


## A608



### Technical data:

1. Size: 1400x350x980mm;
2. Unlock time: 0.2s ;
3. Pass rate: 35person /min;
4. Pass width: ≤600mm;
5. Input : 100V~240V;
6. Driving voltage: 24v;
7. Environment: -25~+70°C;
8. Power consumption: 35w;
9. Input: dry contact.

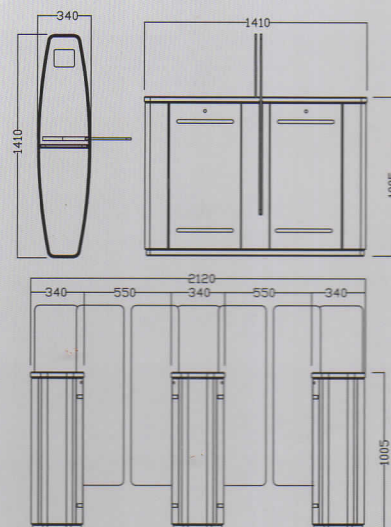


## A621



### Technical data:

1. Size: 1410x340x1005mm;
2. Unlock time: 0.2s ;
3. Pass rate: 35person /min;
4. Pass width: ≤600mm;
5. Input : 100V~240V;
6. Driving voltage: 24v;
7. Environment: -25~+70°C;
8. Power consumption: 35w;
9. Input: dry contact.



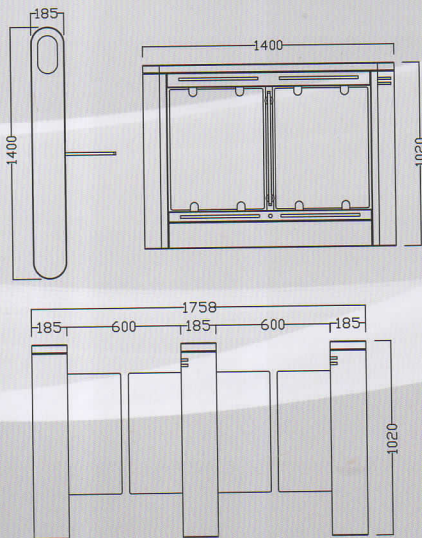


## A306

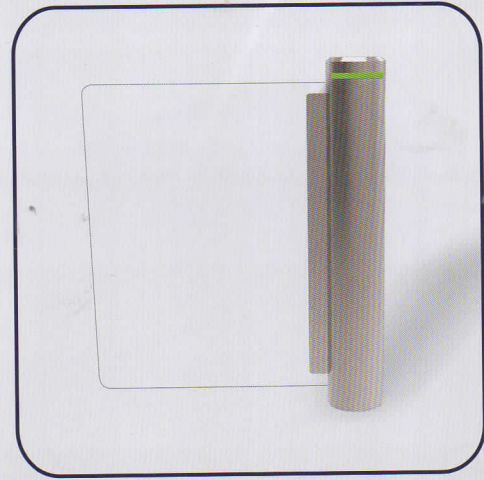


### Technical data:

1. Size: 1400x185x1020mm;
2. Unlock time: 0.2s ;
3. Pass rate: 35person /min;
4. Pass width: ≤900mm;
5. Input : 100V~240V;
6. Driving voltage: 24v;
7. Environment: -25~+70°C;
8. Power consumption: 35w;
9. Input: dry contact.

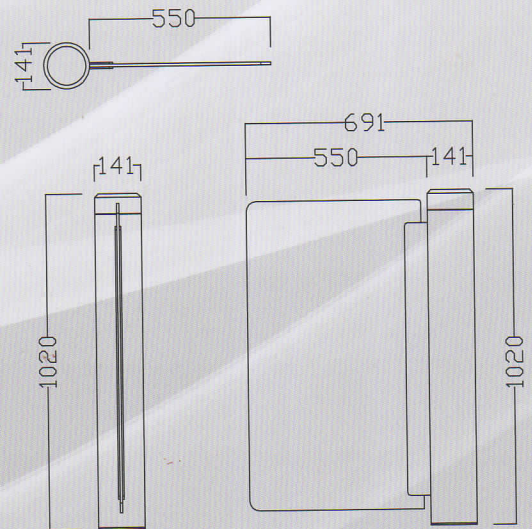


## A315



### Technical data:

1. Size:  $\phi$  141x1020mm;
2. Unlock time: 0.2s ;
3. Pass rate: 35person /min;
4. Pass width: ≤550mm;
5. Input : 100V~240V;
6. Driving voltage: 24v;
7. Environment: -25~+70°C;
8. Power consumption: 35w;
9. Input: dry contact.



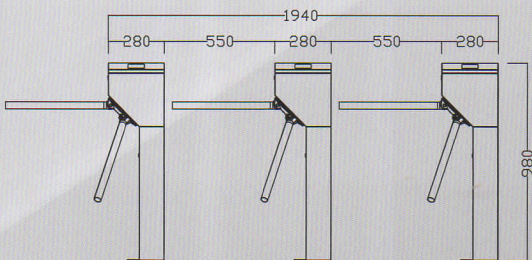
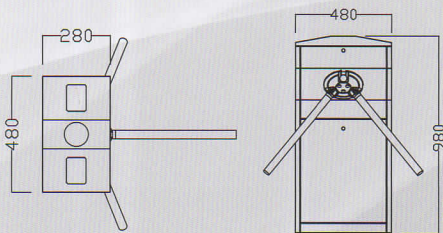


## HL145



### Technical data:

1. Size: 480x280x980mm;
2. Unlock time: 0.2s ;
3. Pass rate: 35person /min;
4. Pass width: ≤550mm;
5. Input : 100V~240V;
6. Driving voltage: 24v;
7. Environment: -25~+70°C;
8. Power consumption: 30w;
9. Input: dry contact.

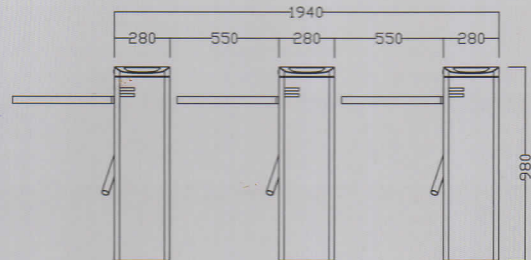
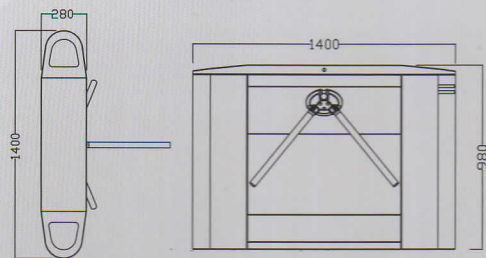


## HC108



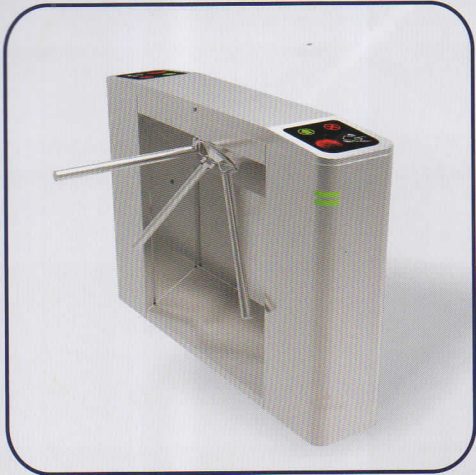
### Technical data:

1. Size: 1400x280x980mm;
2. Unlock time: 0.2s ;
3. Pass rate: 35person /min;
4. Pass width: ≤550mm;
5. Input : 100V~240V;
6. Driving voltage: 24v;
7. Environment: -25~+70°C;
8. Power consumption: 30w;
9. Input: dry contact.



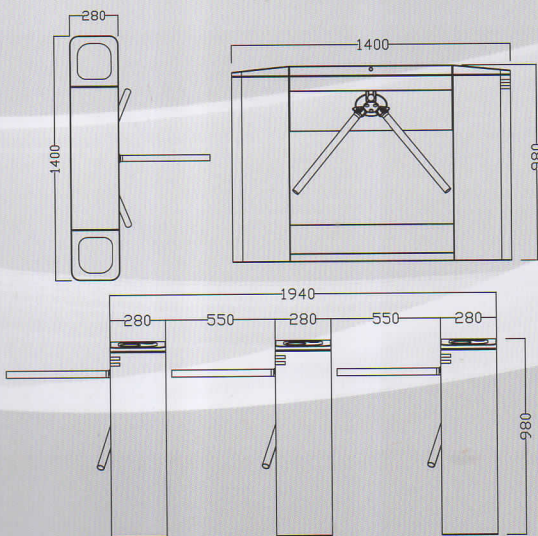


## HC149

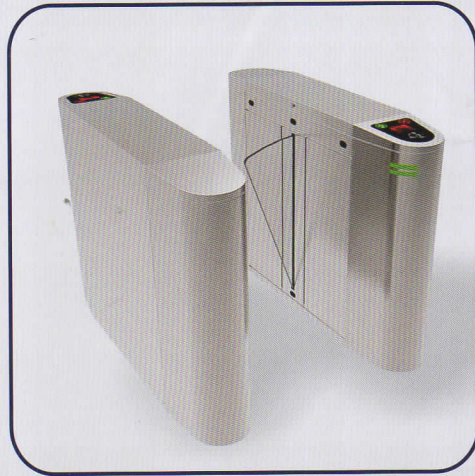


### Technical data:

1. Size: 1400x280x980mm;
2. Unlock time: 0.2s ;
3. Pass rate: 35person /min;
4. Pass width: ≤550mm;
5. Input : 100V~240V;
6. Driving voltage: 24v;
7. Environment: -25~+70°C;
8. Power consumption: 30w;
9. Input: dry contact.

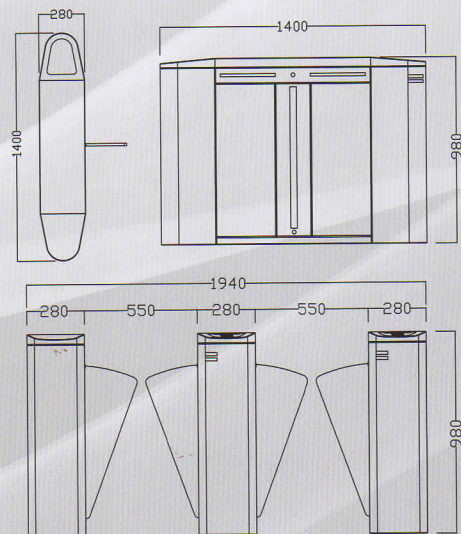


## H208



### Technical data:

1. Size: 1400x280x980mm;
2. Unlock time: 0.2s ;
3. Pass rate: 35person /min;
4. Pass width: ≤550mm;
5. Input : 100V~240V;
6. Driving voltage: 24v;
7. Environment: -25~+70°C;
8. Power consumption: 35w;
9. Input: dry contact.



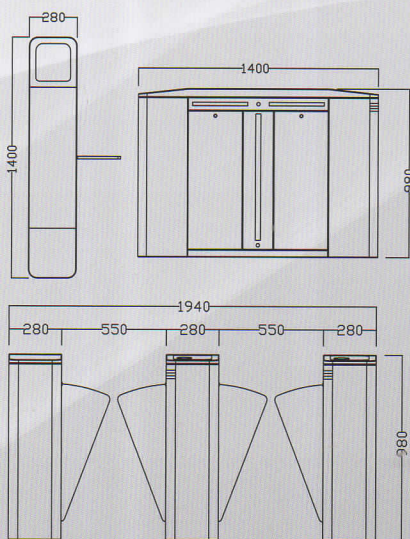


## H249

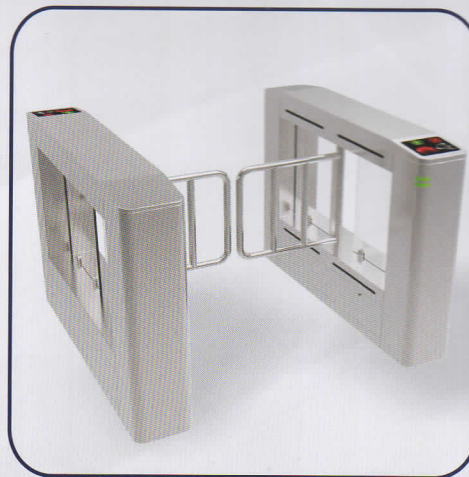


### Technical data:

1. Size: 1400x280x980mm;
2. Unlock time: 0.2s ;
3. Pass rate: 35person /min;
4. Pass width: ≤550mm;
5. Input : 100V~240V;
6. Driving voltage: 24v;
7. Environment: -25~+70°C;
8. Power consumption: 35w;
9. Input: dry contact.

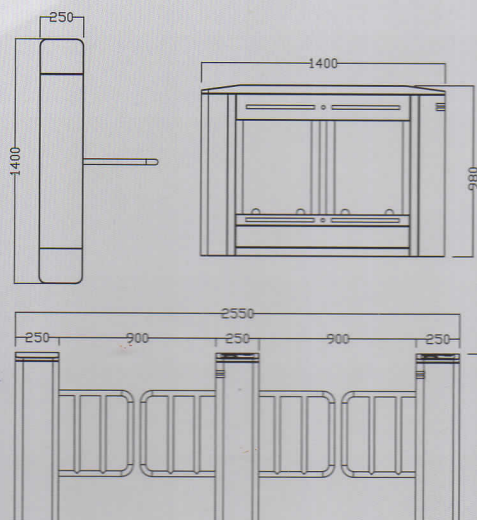


## H322



### Technical data:

1. Size: 1400x250x980mm;
2. Unlock time: 0.2s ;
3. Pass rate: 35person /min;
4. Pass width: ≤900mm;
5. Input : 100V~240V;
6. Driving voltage: 24v;
7. Environment: -25~+70°C;
8. Power consumption: 35w;
9. Input: dry contact.



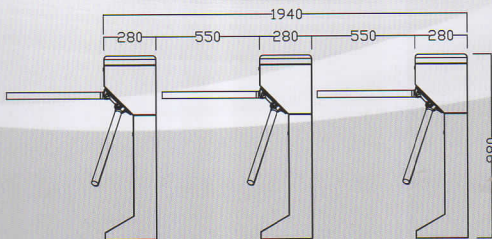
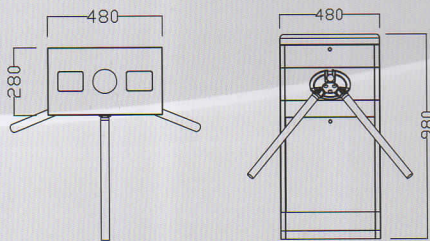


## YL121



### Technical data:

1. Size: 480x280x980mm;
2. Unlock time: 0.2s ;
3. Pass rate: 35person /min;
4. Pass width: ≤550mm;
5. Input : 100V~240V;
6. Driving voltage: 24v;
7. Environment: -25~+70°C;
8. Power consumption: 30w;
9. Input: dry contact.

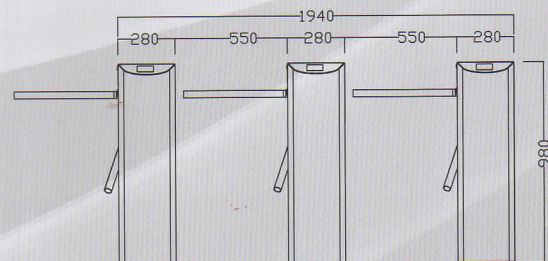
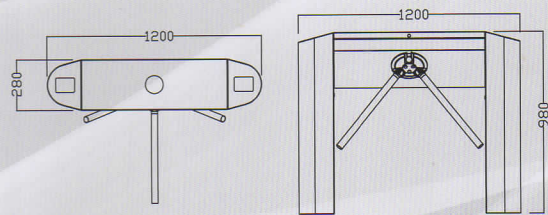


## Y105



### Technical data:

1. Size: 1200x280x980mm;
2. Unlock time: 0.2s ;
3. Pass rate: 35person /min;
4. Pass width: ≤550mm;
5. Input : 100V~240V;
6. Driving voltage: 24v;
7. Environment: -25~+70°C;
8. Power consumption: 30w;
9. Input: dry contact.



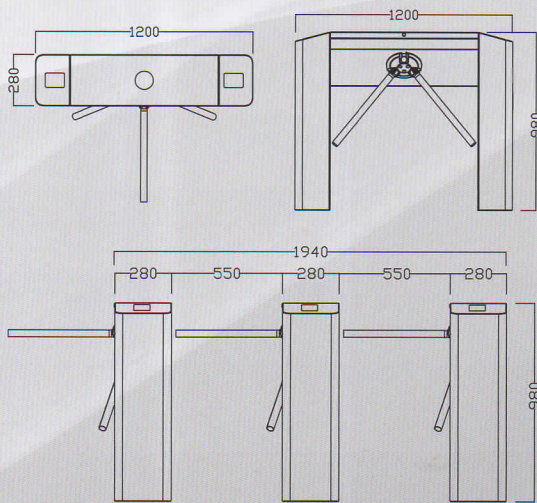


### Y148



#### Technical data:

1. Size: 1200x280x980mm;
2. Unlock time: 0.2s ;
3. Pass rate: 35person /min;
4. Pass width: ≤550mm;
5. Input : 100V~240V;
6. Driving voltage: 24v;
7. Environment: -25~+70°C;
8. Power consumption: 30w;
9. Input: dry contact.

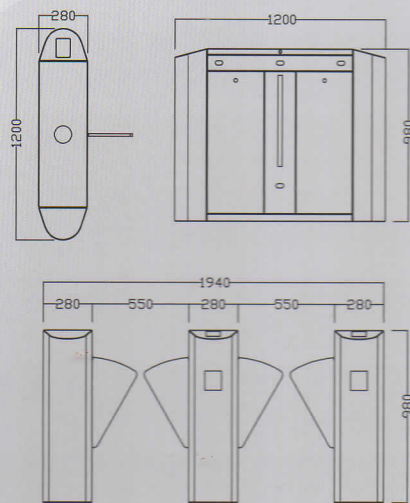


### Y205



#### Technical data:

1. Size: 1200x280x980mm;
2. Unlock time: 0.2s ;
3. Pass rate: 35person /min;
4. Pass width: ≤550mm;
5. Input : 100V~240V;
6. Driving voltage: 24v;
7. Environment: -25~+70°C;
8. Power consumption: 35w;
9. Input: dry contact.



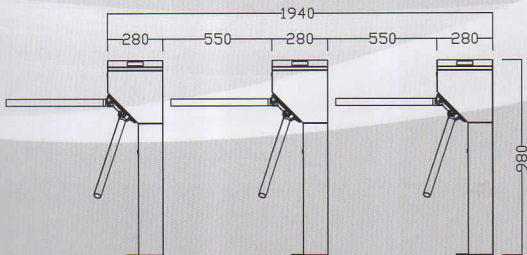
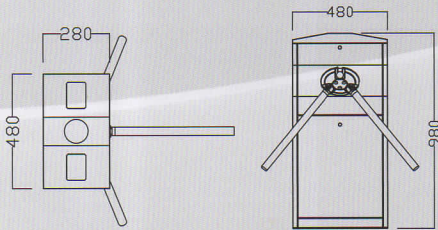


## EL145



### Technical data:

1. Size: 480x280x980mm;
2. Unlock time: 0.2s ;
3. Pass rate: 35person /min;
4. Pass width: ≤550mm;
5. Input : 100V~240V;
6. Driving voltage: 24v;
7. Environment: -25~+70°C;
8. Power consumption: 30w;
9. Input: dry contact.

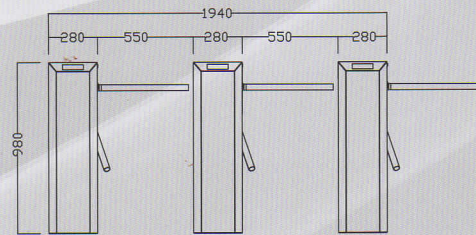
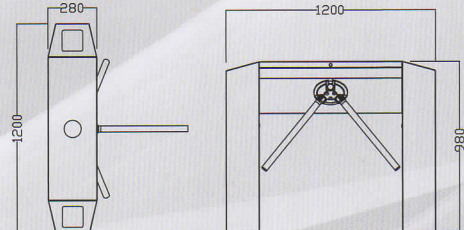


## E142



### Technical data:

1. Size: 1200x280x980mm;
2. Unlock time: 0.2s ;
3. Pass rate: 35person /min;
4. Pass width: ≤550mm;
5. Input : 100V~240V;
6. Driving voltage: 24v;
7. Environment: -25~+70°C;
8. Power consumption: 30w;
9. Input: dry contact.



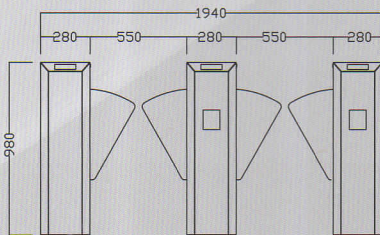
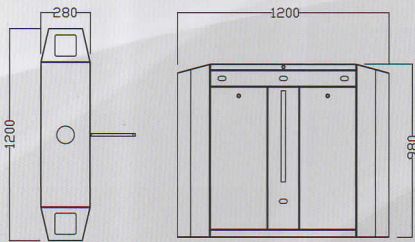


## E242

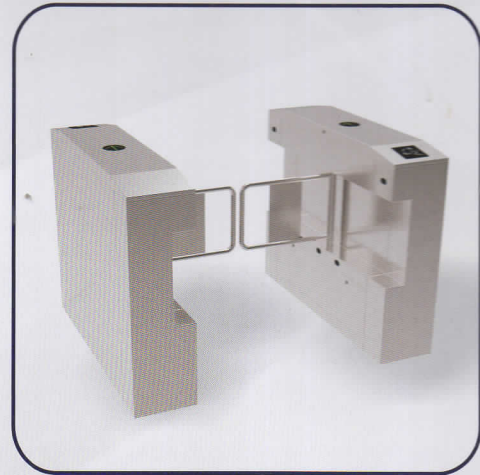


### Technical data:

1. Size: 1200x280x980mm;
2. Unlock time: 0.2s ;
3. Pass rate: 35person /min;
4. Pass width: ≤550mm;
5. Input : 100V~240V;
6. Driving voltage: 24v;
7. Environment: -25~+70°C;
8. Power consumption: 35w;
9. Input: dry contact.

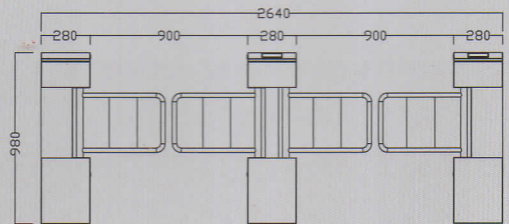
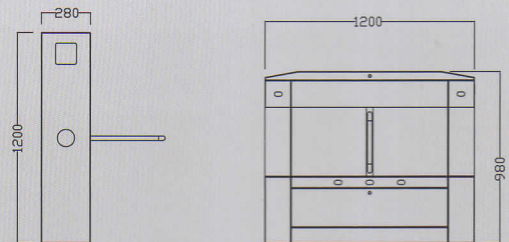


## E343



### Technical data:

1. Size: 1200x280x980mm;
2. Unlock time: 0.2s ;
3. Pass rate: 35person /min;
4. Pass width: ≤1100mm;
5. Input : 100V~240V;
6. Driving voltage: 24v;
7. Environment: -25~+70°C;
8. Power consumption: 35w;
9. Input: dry contact.





## LV128



## Technical data:

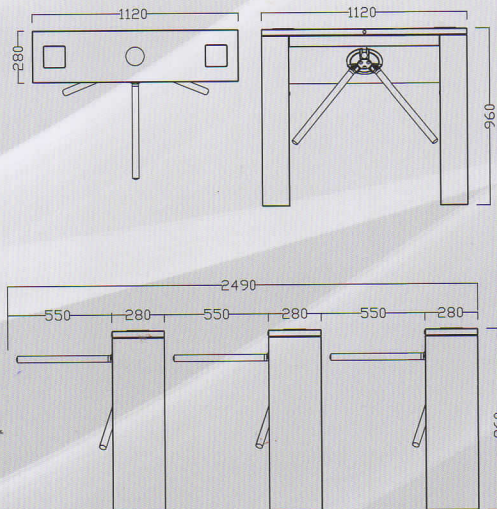
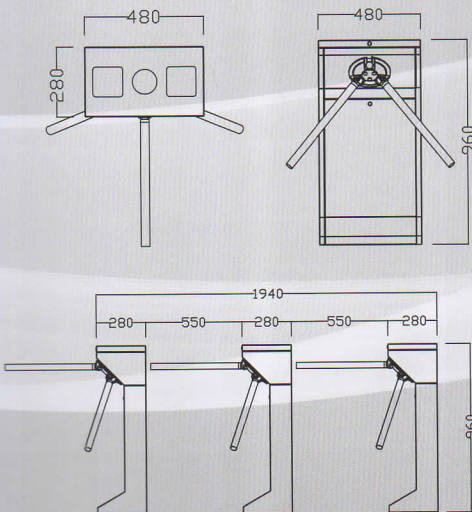
1. Size: 480x280x960mm;
2. Unlock time: 0.2s ;
3. Pass rate: 35person /min;
4. Pass width: ≤550mm;
5. Input : 100V~240V;
6. Driving voltage: 24v;
7. Environment: -25~+70°C;
8. Power consumption: 30w;
9. Input: dry contact.

## L128



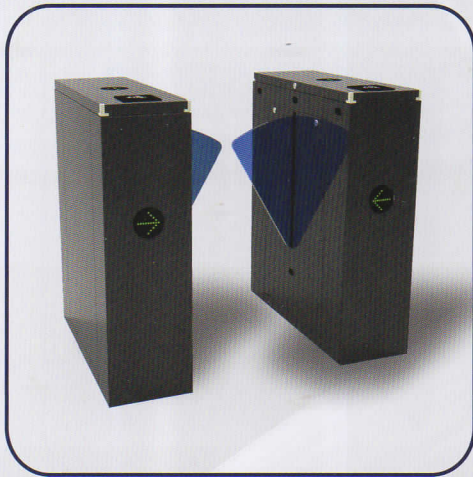
## Technical data:

1. Size: 1120x280x960mm;
2. Unlock time: 0.2s ;
3. Pass rate: 35person /min;
4. Pass width: ≤550mm;
5. Input : 100V~240V;
6. Driving voltage: 24v;
7. Environment: -25~+70°C;
8. Power consumption: 35w;
9. Input: dry contact.



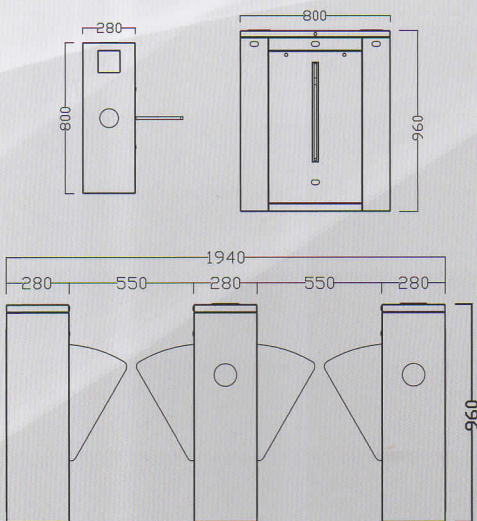


### L228

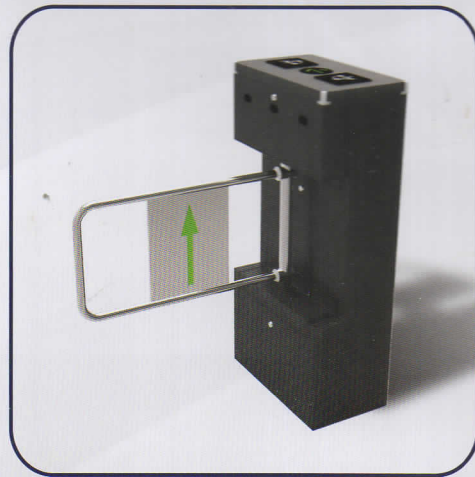


#### Technical data:

1. Size: 800x280x960mm;
2. Unlock time: 0.2s ;
3. Pass rate: 35person /min;
4. Pass width: ≤550mm;
5. Input : 100V~240V;
6. Driving voltage: 24v;
7. Environment: -25~+70°C;
8. Power consumption: 35w;
9. Input: dry contact.

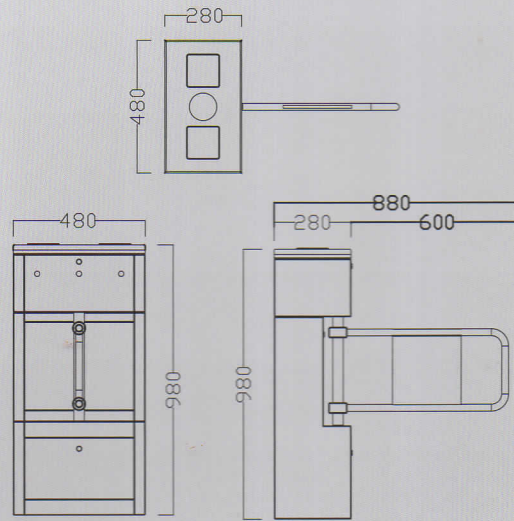


### LV328



#### Technical data:

1. Size: 480x280x980mm;
2. Unlock time: 0.2s ;
3. Pass rate: 35person /min;
4. Pass width: ≤800mm;
5. Input : 100V~240V;
6. Driving voltage: 24v;
7. Environment: -25~+70°C;
8. Power consumption: 30w;
9. Input: dry contact.



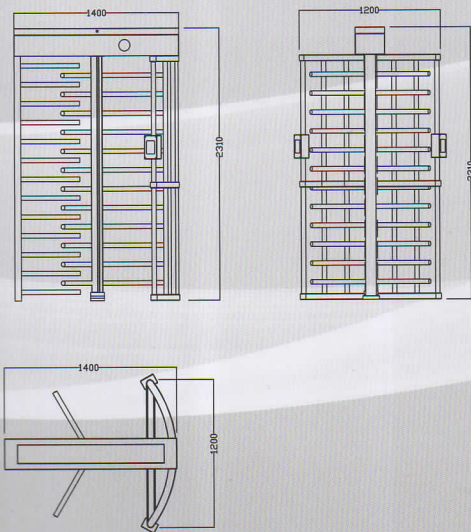


## G538



### Technical data:

1. Size: 1400x1200x2310mm;
2. Unlock time: 0.2s ;
3. Pass rate: 30person /min;
4. Pass width: ≤650mm;
5. Input : 100V~240V;
6. Driving voltage: 24v;
7. Environment: -25~+70°C;
8. Power consumption: 30w;
9. Input: dry contact.

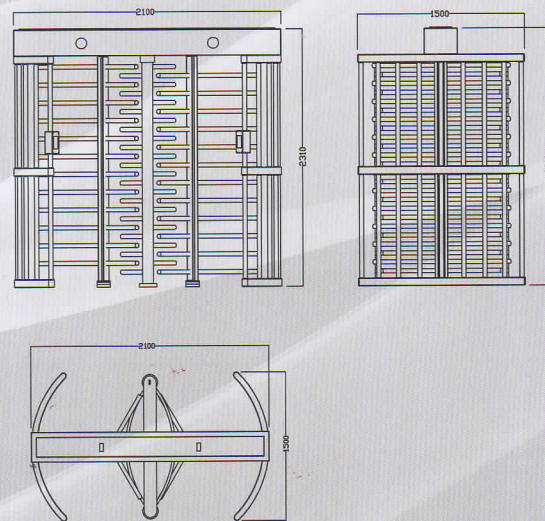


## G538-2



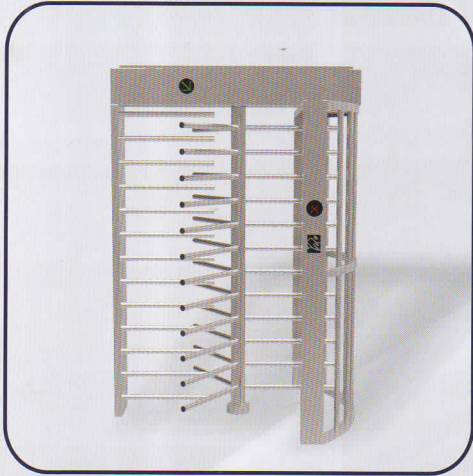
### Technical data:

1. Size: 2100x1500x2310mm;
2. Unlock time: 0.2s ;
3. Pass rate: 30person /min;
4. Pass width: ≤650mm;
5. Input : 100V~240V;
6. Driving voltage: 24v;
7. Environment: -25~+70°C;
8. Power consumption: 30w;
9. Input: dry contact.



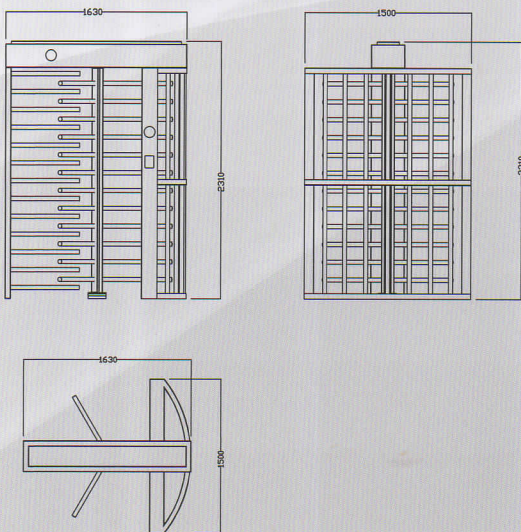


## G535

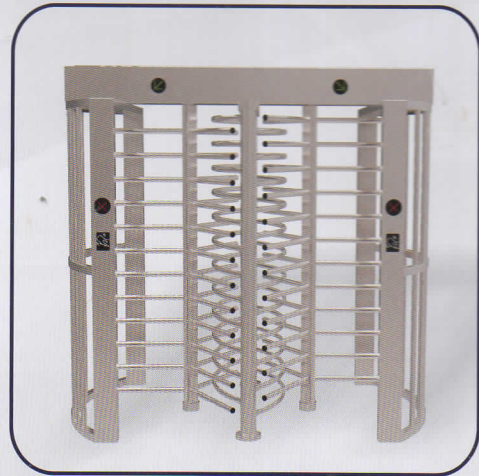


## Technical data:

1. Size: 1630x1500x2310mm;
2. Unlock time: 0.2s ;
3. Pass rate: 30person /min;
4. Pass width: ≤650mm;
5. Input : 100V~240V;
6. Driving voltage: 24v;
7. Environment: -25~+70°C;
8. Power consumption: 30w;
9. Input: dry contact.



## G535-2



## Technical data:

1. Size: 2400x1500x2310mm;
2. Unlock time: 0.2s ;
3. Pass rate: 30person /min;
4. Pass width: ≤650mm;
5. Input : 100V~240V;
6. Driving voltage: 24v;
7. Environment: -25~+70°C;
8. Power consumption: 30w;
9. Input: dry contact.

