



High-Speed Doors

NEW: Internal door V4015 SEL Alu-R with powerful, innovative tubular drive and narrow aluminium side elements





- 4 Hörmann Brand Quality
- 6 Sustainable Production

8 **Spiral Doors and High-Speed Sectional Doors**

10 Good Reasons to Try Hörmann

HS 7030 PU 42	42 mm insulated with spiral track application
HS 5015 PU N 42	42 mm insulated with track application N (normal)
HS 5015 PU H 42	42 mm insulated with track application H (high-lift)
HS 6015 PU V 42	42 mm insulated with track application V (vertical)
HS 5015 PU H 67	67 mm insulated with track application H (high-lift)
HS 6015 PU V 67	67 mm insulated with track application V (vertical)
HS 5015 Acoustic H	Acoustic-rated with track application H (high-lift)
Iso Speed Cold H 100	100 mm insulated as a cold store and deep freeze door
Iso Speed Cold V 100	100 mm insulated as a cold store and deep freeze door

18 **Flexible High-Speed Doors**

20 Good Reasons to Try Hörmann

22 **Internal Doors**

V 4015 SEL ALU-R	With tubular drive and aluminium side elements // NEW
V 5015 SEL	With SoftEdge and anti-crash
V 5030 SEL	With SoftEdge and anti-crash

30 **Internal and External Doors**

V 6030 SEL	With SoftEdge and anti-crash
V 6020 TRL	With transparent curtain
V 10008	For especially large openings

34 **Internal Doors for Special Applications**

V 4015 Iso L	Insulated for fresh logistics
V 2515 Food L	The food industry door
V 2012	The supermarket door
V 3015 Clean	The clean room door

38 **Internal Doors for Individual Needs**

V 5030 MSL	For protecting people and machines
V 3009 Conveyor	The conveyor technology door

42 **Operator and Control Technology**

- 44 FU Controls
- 46 Accessories
- 47 Hörmann Product Range

Copyright: No part or excerpt may be reproduced without our prior permission.
Subject to changes. The doors shown are example applications – no guarantee.

Left: Loewe Logistics & Care, Herford

Hörmann Brand Quality

Future-oriented and reliable



High-speed progress

Highly-qualified technicians are constantly working on further developing and improving our products in order to meet the demands of the market. This results in economic high-speed door designs of the highest standard.



Precise production

Innovative production processes that have been matched perfectly with each other are a guarantee for steadily increasing product quality. An example: the modern hot air welding system that enables a precise and automated welding of the door curtains.



Made in Germany



As Europe's leading manufacturer of doors, hinged doors, frames and operators, we are committed to high product and service quality. This is how we set standards on an international scale.

Highly-specialised factories develop and manufacture construction components that feature top quality, functional safety and a long service life.

Our presence in the global economy's key regions makes us a strong, future-oriented partner for industrial and public construction projects.



Certified safety
Hörmann high-speed doors are manufactured in line with stringent European standards and are, of course, certified.



It goes without saying that spare parts for doors, operators and controls are Hörmann parts that come with a guaranteed availability of 10 years.



Competent advice

Experienced specialists within our customer-oriented sales organisation accompany you from the planning stage, through technical clarification up to the final building inspection. Complete working documentation is not only available in printed form but is always accessible and up-to-date at www.hoermann.com.



Efficient service

Our extensive service network means that we are never far away which is a major advantage in terms of inspections, maintenance and repairs.

Sustainable Production

For future-oriented construction



Sustainability verified and documented by ift Rosenheim

Hörmann is the only manufacturer who already received confirmation of the sustainability of all its high-speed doors through an environmental product declaration (EPD) in accordance with DIN ISO 14025 and EN 15804 from the Institut für Fenstertechnik (ift – Institute of window technology) in Rosenheim. The inspection was based on the Product Category Rules (PCR) “Doors and Gates”. Environmentally-friendly production was confirmed by a life-cycle analysis in accordance with DIN EN 14040 / 14044 for all high-speed doors.

Sustainably produced: Hörmann's high-speed doors

Ecological quality

Environmentally-friendly production through a comprehensive energy management system

Economical quality

A long service life and low maintenance costs thanks to the use of high-quality materials

Process quality

Resource-conserving production processes through optimised material use

Sustainable construction with Hörmann's expertise

Hörmann has been able to gain great expertise in sustainable construction through various projects. We also apply this know-how to support your projects. Another advantage: For every project order, the required data for LEED certification are automatically generated.

breem



DGNB®

Deutsche Gesellschaft für Nachhaltiges Bauen e.V.
German Sustainable Building Council



Simple and Sustainable Planning

With the Hörmann Architects' Program and energy savings compass



The Architects' Program

More than 9000 drawings for over 850 products

Planning with Hörmann products is now even easier thanks to a modern, user-friendly interface. Clearly structured navigation via drop-down menus and symbols, as well as a search function, provides quicker access to tender specifications and drawings (in DWG and PDF format) of over 850 Hörmann products.

Photo-realistic presentations provide additional information on many products.

The Architects' Program is available to you as a web version at www.hormann.co.uk/forums/architects-forum/architects-program or can be downloaded free-of-charge from the Hörmann Architects' Forum.

The energy savings compass

For sustainable planning

Hörmann's energy savings compass shows how external and internal doors are planned with energy-efficiency and sustainability in mind. An integrated calculation module estimates the amortisation period for door modernisation.



Plan with the energy savings compass at:
www.hormann.co.uk/energysavingscompass

Spiral Doors and High-Speed Sectional Doors

With insulating sections for a high thermal insulation





Optimised processes

The high opening and closing speeds of spiral and high-speed sectional doors optimise work processes and significantly accelerate logistics processes. Depending on the version, the hot-galvanized, double-skinned sections are guided into a spiral or into tracks.

Excellent thermal insulation

The sturdy steel sections of the doors have thermal breaks and are PU-foamed. As a result you benefit from excellent thermal values of up to 0.64 W/(m²·K) and minimise energy loss. For the special requirements in cold and refrigeration logistics, high-speed doors with 100 mm-thick sections are the first choice.

Reliable security

High speeds require special safety precautions. The solution: a standard light grille that is protected inside the side elements of the door. The door's closing zone is monitored here without any contact – and up to a height of 2500 mm.

Good Reasons to Try Hörmann

Quality features of spiral doors and high-speed sectional doors



1 Safety as standard

Non-contact safety

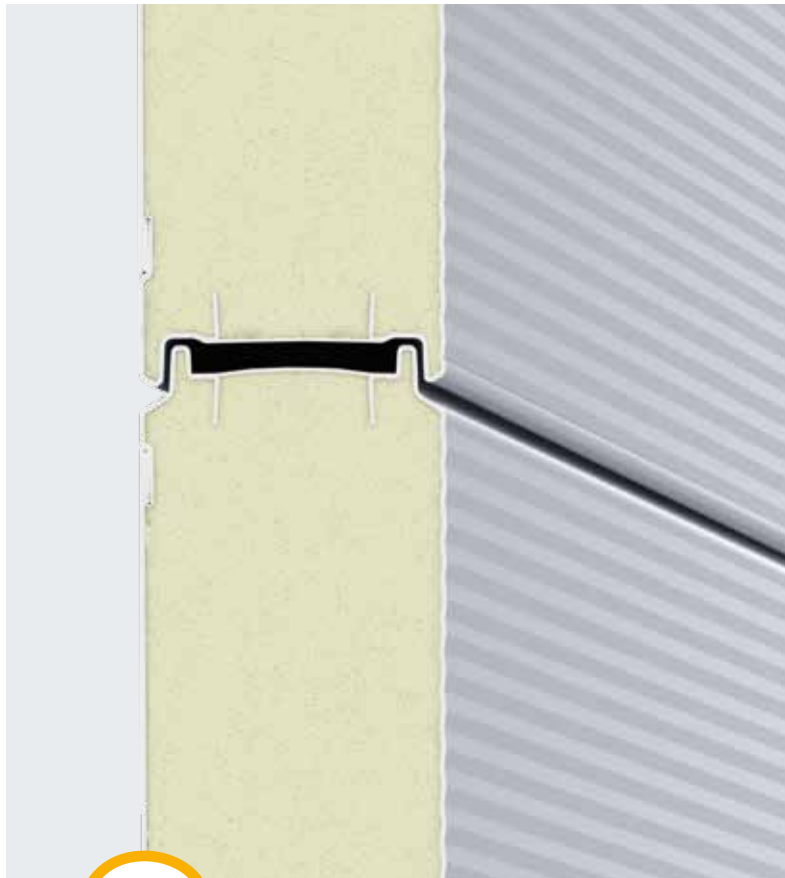
Safety light grilles integrated into the side assemblies monitor the closing zone of the door leaf up to a height of 2500 mm. The safety light grilles ensure compliance with safety requirements in accordance with DIN EN 13241-1. This does away with the need for additional installations on the door (e.g. closing edge safety device, photocell). Profit from this high level of safety with a high-speed door that is exceptionally easy to fit and service.

2 Optimised operations

Long service life and high efficiency as standard

The frequency converter control takes stress off the entire door mechanism, guaranteeing nearly wear-free, quiet door travel. High opening and closing speeds optimise your operations and reduce heat losses. In addition, they relieve the entire door mechanism through the smooth starting and braking action which considerably extends the service life of the door. For heavy, insulated doors the door travel is supported by springs, and for high-speed sectional doors with H and V track applications by wear-free counter weights.

Glazing beads facilitate the exchange of individual panes



3

Efficient thermal insulation

Uniformly foamed steel sections

The hot-galvanized, double-skinned sections with PU rigid foam infill offer an especially high level of thermal insulation. The doors are supplied as standard in White aluminium (RAL 9006). The exterior is characterised by the fine Micrograin lines, on the interior the sections are Stucco-textured.

Increased thermal insulation thanks to ThermoFrame

Well-insulated high-speed doors are essential in heated halls. The ThermoFrame separates the side element from the building structure. The thermal break along with additional seals improves thermal insulation by up to 15 % and is easy and quick to fit. The ThermoFrame can be optionally ordered for doors with 42-mm and 67-mm-thick sections. It is already included in the scope of delivery for Iso Speed Cold 100 doors.

4

A permanently clear view

Optional glazing

Duratec glazing guarantees maximum scratch resistance despite heavy use in rough industrial environments. The special surface coating protects the pane from scratches and damage caused by cleaning.

For 67 mm insulated doors, you receive the aluminium glazing frame with thermal break with triple glazings. We deliver 42 mm insulated doors with double glazing.



The glazing beads on the inside allow defective panes to be exchanged easily and quickly.

Only from Hörmann



Spiral Doors and High-Speed Sectional Doors

With insulating sections for a high thermal insulation



Quick and well-insulated

The high opening and closing speeds reduce heat losses.

The space-saving track application N (normal)

For tight spaces in the lintel area, we recommend track application N.





The adjustable H (high-lift) and V (vertical) track applications

These allow the door to be fitted behind or above supply lines, for example. Door travel is supported by low-wear counter weights.

For cold store and deep freeze areas

The 100 mm-thick sections of the Iso Speed Cold 100 reliably separate areas with high temperature differences.



Spiral Doors and High-Speed Sectional Doors

Section with thermal break and high thermal insulation

42 mm steel sandwich section with thermal break

The 42 mm-thick PU-foamed steel sections are particularly robust and offer excellent thermal insulation which can be further improved with an optional ThermoFrame.

67 mm steel sandwich section with thermal break

For higher thermal insulation requirements we recommend the 67 mm-thick sections with a thermal insulation value of up to 0.64 W/(m²·K). The optional ThermoFrame also improves the thermal insulation for this version by up to 15 % (for 25 m² door surface).

100 mm steel sandwich section with thermal break

This door version is the optimal door for the cold store and deep freeze areas and is delivered with ThermoFrame as standard. For fitting in the deep freeze areas, the side elements, the operator, the control as well as the sealing frame and base plates are delivered heated.

Acoustic sections

For the special requirements of acoustic insulation, the HS 5015 Acoustic H high-speed doors are equipped with aluminium hollow profiles. The hollow profiles are filled with 5 mm PVC and 30 mm PU-foam.

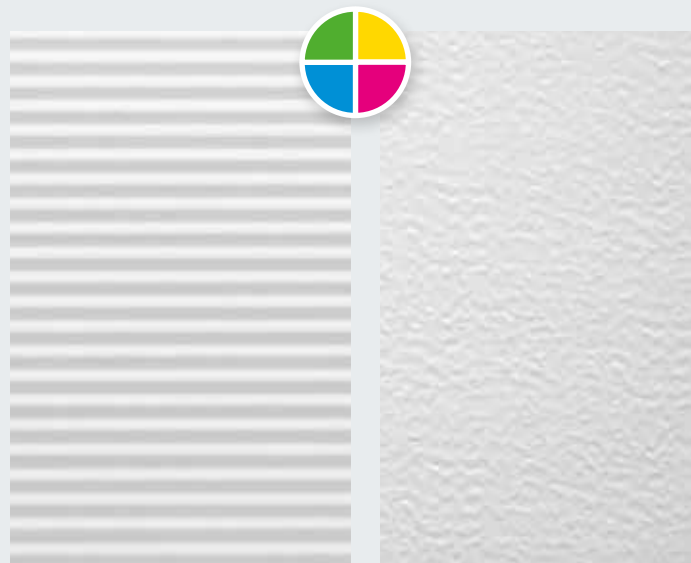
Surface finishes and colours

The 42 and 67 mm-thick sections are delivered with elegant Micrograin surface on the exterior and Stucco surface on the interior – exterior and interior are White aluminium based on RAL 9006 as standard. The 100 mm-thick sections come Stucco-textured on the interior and exterior in standard Grey white based on RAL 9002.

Optionally, we supply all door leaves in over 200 colours based on RAL.



Double-skinned steel sandwich sections with thermal break in three thicknesses: 42, 67 and 100 mm, acoustic section



Micrograin surface, on exterior for 42, 67 mm sections

Stucco texture, on exterior for 100 mm sections

**Excellent thermal insulation
with a U-value of up to 0.57 W/(m²·K)**

Features

Door leaf				
Design	Steel sandwich construction, PU-foamed	Steel sandwich construction, PU-foamed	Steel sandwich construction, PU-foamed	Aluminium hollow profile, 5 mm UPVC / 30 mm PU
Depth (mm)	42	67	100	42
Section height (mm)	250	375	500	225
Exterior / interior surface	Micrograin / Stucco	Micrograin / Stucco	Stucco	smooth
Standard colour	RAL 9006	RAL 9006	RAL 9002	C0 anodised
ThermoFrame	○	○	●	–
Duratec glazing, double	○	–	–	–
Duratec glazing, triple	○	○	–	–
Speed with standard FU control				
Max. opening (m/s)	1.5–2.5	1.5–2.5	1.5–2.0	1.5–2.5
Closing approx. (m/s)	0.5	0.5	0.5	0.5
Resistance to wind load (EN 12424)				
Door width ≤ 5000 mm	Class 5	Class 5	Class 3	Class 4
Door width > 5000 mm ≤ 6000 mm	Class 4	Class 4		
Door width > 6000 mm	Class 2	Class 2		
Resistance to water penetration (EN 12425)				
	Class 1			
Air permeability (EN 12426)				
	Class 2			
Acoustic insulation (EN 717-1) without glazing				
R = dB	26	26	26	31
Thermal insulation (EN 12428) door size 4000 × 4000 mm, without glazing with ThermoFrame				
U-value in W/(m ² ·K)	1.04	0.64	0.57	
Emergency opening / emergency closing				
Emergency hand chain	●	●	●	●
Automatic door opening via UPS in case of power failure (up to approx. 9 m ² door surface)	○	–	–	–
● = Standard ○ = Optional				
All colours based on RAL.				

Spiral Doors and High-Speed Sectional Doors

Individual track application versions for every fitting situation

The compact spiral track application

The sections are securely guided into a spiral bracket without any contact. With the high-performance frequency converter control (FU) and the chain mechanism with spring compensation, the door reaches an opening speed of up to 2.5 m/s. The spiral door HS 7030 PU can also be fitted externally.



Spiral track application

The space-saving track application N

We recommend this track application for tight spaces in the lintel area. A chain mechanism with spring compensation runs the sections into horizontal tracks. This requires a low headroom of 480 mm.



Track application N (normal)

The adjustable track application H

The sections are guided in horizontal tracks and can be diverted flexibly depending on the fitting situation. Thus, the door can be fitted behind or above supply lines and crane tracks. Thanks to the belt mechanism with counter weights, the door is especially low-wear and long-lasting thanks to the belt mechanism.



Track application H (high-lift)

The wear-free track application V

The sections run vertically along the hall wall. That is why the door movements are very quiet and wear-free. That is why the door movements are very quiet and wear-free. The belt mechanism with counter weights guarantees a long service life with constant use.



Track application V (vertical)

Features

Fitting	Spiral track application	Track application N (normal)	Track application H (high-lift)	Track application V (vertical)
Counterbalance				
Chain mechanism and springs	●	●		
Belt mechanism and counter weights			●	●
42 mm steel sandwich section, PU-foamed, with thermal break				
Door type	HS 7030 PU 42	HS 5015 PU N 42	HS 5015 PU H 42	HS 6015 PU V 42
Max. width (mm)	6500	5000	5000	6500
Max. height (mm)	6500	6500	6500	6500
Min. required headroom (mm)	920	480	750	LDH + 585
67 mm steel sandwich section, PU-foamed, with thermal break				
Door type			HS 5015 PU H 67	HS 6015 PU V 67
Max. width (mm)			5000	6500
Max. height (mm)			6500	6500
Min. required headroom (mm)			950	LDH + 735
100 mm steel sandwich section, PU-foamed, with thermal break				
Door type			Iso Speed Cold H 100	Iso Speed Cold V 100
Temperature range (deviating temperatures on request)			Fitting side to 0° C Opposite side -28° C	Fitting side -28° C Opposite side -28° C
Max. width (mm)			5000	5000
Max. height (mm)			5000	5000
Min. required headroom (mm)			750	LDH + 585
42 mm aluminium hollow profile, filled with 5 mm PVC and 30 mm PU-foam				
Door type			HS 5015 Acoustic H	
Max. width (mm)			5000	
Max. height (mm)			5000	
Min. required headroom (mm)			1000	
● = Standard ○ = Optional				
LDH = clear passage height				
All colours based on RAL.				

Flexible High-Speed Doors

Internal and external doors





Benefits

Flexible high-speed doors speed up workflows and reduce energy costs. They feature safe door operation and a long service life thanks to standard equipment with an FU control, safety light grille and SoftEdge bottom profile. In fact, they offer even more benefits: flexible high-speed doors are low-maintenance, easy to fit, cost-efficient and therefore economical for daily use.

Solution for interior use

Thanks to the high opening and closing speeds, heat losses on the door as well as draughts at the workplace are noticeably reduced resulting in less work absences due to illness.

Solution for external use

Flexible high-speed doors help you effectively reduce your energy losses even for external door openings, as well as draughts on the doors. External doors can withstand even high wind loads without any problems.

Individual solutions

Various demands require individual door solutions. Based on our expert know-how, we develop customer-specific solutions for special application areas such as conveyor systems, the food industry, clean rooms, cooling zones or for machine safety.

Good Reasons to Try Hörmann

Quality features of the flexible high-speed doors



1

Safety as standard

Non-contact safety

Safety light grilles integrated into the side assemblies monitor the closing zone of the door leaf up to a height of 2500 mm. The safety light grilles ensure compliance with safety requirements in accordance with DIN EN 13241-1. It pays to compare! This does away with the need for additional installations on the door (e.g. closing edge safety device, photocell). Profit from this high level of safety with a high-speed door that is exceptionally easy to fit and service.

2

Optimised operations

Long service life and high efficiency as standard

The frequency converter control takes stress off the entire door mechanism, guaranteeing nearly wear-free, quiet door travel. High opening and closing speeds optimise your operations and reduce heat losses. In addition, it relieves the entire door mechanism through the smooth starting and braking action. As a result, the service life of your door is considerably increased.

Innovative gate technology
Particularly easy to fit and service
as standard



3

Practical solutions

No downtimes resulting from a crash thanks to the SoftEdge bottom profile

The innovative SoftEdge door technology prevents damage and resulting downtimes of the door system. Extensive repairs, such as those with rigid door profiles, usually do not become necessary. SoftEdge ensures trouble-free operation and production processes.



Take a look at the video at:
www.hoermann.com/videos



4

Innovative details

Radio crash switch

The radio crash switch is concealed in the SoftEdge bottom profile. If the bottom profile is pushed out of the side guides by a crash, the radio crash switch transmits a signal to the control and **the door is stopped immediately**, fulfilling the requirements of DIN EN 13241-1. It pays to compare!

Flexible High-Speed Doors

Internal door V4015 SEL Alu-R with innovative tubular drive and aluminium side elements



Door type V 4015 SEL Alu-R

Thanks to its powerful, innovative tubular drive, the compact high speed door is ideal for fitting situations in tight spaces. In addition, the standard light grille and the SoftEdge profile make it safe and economical.

**Compact design**

The elegant, narrow aluminium side elements only require a low sideroom of 145 mm. The door curtain is particularly well sealed thanks to the very small gap dimension and lip seals.

Easy to fit and service

The standard shaft cover is divided and can also be easily opened in the lintel area with limited space. The connection cables for the control are guided out of the frame via a variable output (top or side).



Flexible High-Speed Doors

Internal door V 4015 SEL Alu-R with innovative tubular drive and aluminium side elements

Door type V 4015 SEL Alu-R

Thanks to the anodised aluminium surface finish of the side elements and top plates, the standard shaft cover in White aluminium RAL 9006, the integrated wiring and few visible screw fittings, the door is very elegant and can also be used in the customer sector. The door is equipped with light grille and SoftEdge profile for a high level of security and cost-effectiveness.

The light grille stops the door immediately if a person or vehicle is in the door opening.

Downtimes due to door system damage is prevented thanks to the flexible SoftEdge profile. You can also optionally obtain the V 4015 SEL Alu-R with aluminium bottom profile for wind class 1 (DIN EN 12424).

The small gap dimension of the side elements and the lip seals also ensure very good door sealing. The high-speed door is particularly suitable for narrow fitting situations in high frequency areas thanks to the narrow side elements and the powerful tubular drive.

If the control has to be fitted in the top section due to space limitations, an optional control element can be elegantly integrated into the side frame. The control element allows for the operation of all control functions such as opening and closing as well as service settings.



Curtain stability
Thanks to stabilising spring steel wind lock



High tightness
Due to a small frame gap dimension and lip seals



Convenient operation
The optional control element (80 × 120 mm) can be integrated in the side frame at a height of 1300 mm



Powerful
With tubular drive for up to 700000 door cycles in high use areas



Features

Door type	V 4015 SEL Alu-R
Suitable application	Interior
Size range	
Max. width (mm)	4000
Max. height (mm)	4000
Speed with control	BK 150 FU E-1
Max. opening (m/s)	1.5
Closing approx. (m/s)	0.8
Curtain	
	UPVC, with spring steel wind locks and lateral twin rollers
Temperature range	+5° C to +40° C
Fabric thickness (mm)	1.5
Vision panel thickness (mm)	2.0
Curtain colours	
RAL 1018 Zinc yellow	●
RAL 2004 Pure orange	●
RAL 3002 Carmine red	●
RAL 5010 Gentian blue	●
RAL 7038 Agate grey	●
Emergency opening	
Automatic door opening via UPS in case of power failure	○
● = Standard ○ = Optional	
All colours based on RAL	

Curtain colours



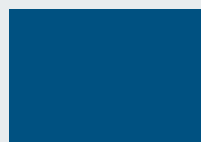
RAL 1018
Zinc yellow



RAL 2004
Pure orange



RAL 3002
Carmine red



RAL 5010
Gentian blue



RAL 7038
Agate grey

Flexible High-Speed Doors

Internal doors with SoftEdge and anti-crash



Door type V 5030 SEL

The spring steel wind locks increase the curtain stability and withstand stronger draughts. (Figure shows a door with an optional aluminium bottom profile for wind class 1)



Door type V 5015 SEL

The proven door for draught-free areas: the aluminium profiles allow the curtain segments to be quickly and inexpensively replaced in case of repair. Insect screen instead of the vision panel also available on request.

Door type V 5015 SEL

From a height of 3000 mm, you can optionally receive the door with two vision panels for better visual contact during forklift traffic and thus greater safety. **// NEW**



Flexible High-Speed Doors

Internal doors with SoftEdge and anti-crash

Door type V 5015 SEL

The inexpensive internal door for areas without draught comes with safety functions such as SoftEdge and light grilles as standard. The aluminium wind lock also makes the door particularly service-friendly, since curtain segments can be quickly replaced if repairs are necessary. For an improved view there can also be two transparent curtain sections.

Door type V 5030 SEL

Draught is always a particular challenge for doors. With the robust wind locks made of spring steel, the V 5030 SEL remains stable under small pull and wind loads. You can also optionally obtain the V 5030 SEL with aluminium bottom profile for wind class 1 (DIN EN 12424).



V 5015 SEL
Curtain stability with aluminium profiles



V 5015 SEL
Optional fly-protection curtain in place of the vision panel



V 5030 SEL
Spring steel wind lock for quiet door travel

V 5030 SEL

Optional with aluminium
bottom profile for wind class 1

Features

Door type	V 5015 SEL	V 5030 SEL
Suitable application	Interior	Interior
Size range		
Max. width (mm)	5000	5000
Max. height (mm)	5000	5000
Speed with control	BK 150 FU E-1	BK 150 FU E-1
Max. opening (m/s)	1.5	2.0
Closing approx. (m/s)	0.8	0.8
Curtain	UPVC, aluminium profile	UPVC, spring steel wind locks with lateral twin rollers
Temperature range	+5° C to +40° C	+5° C to +40° C
Fabric thickness (mm)	1.5	1.5
Vision panel thickness (mm)	2.0	2.0
Curtain colours		
RAL 1018 Zinc yellow	●	●
RAL 2004 Pure orange	●	●
RAL 3002 Carmine red	●	●
RAL 5010 Gentian blue	●	●
RAL 7038 Agate grey	●	●
Emergency opening		
Emergency crank handle	●	●
Emergency hand chain	○	○
Automatic door opening via UPS in case of power failure	○	○
● = Standard ○ = Optional		All colours based on RAL.

Curtain colours



RAL 1018
Zinc yellow



RAL 2004
Pure orange



RAL 3002
Carmine red



RAL 5010
Gentian blue



RAL 7038
Agate grey

Flexible High-Speed Doors

Internal and external doors



Door type V 6030 SEL

The particularly robust SoftEdge profile is specifically designed for outside use.



Door type V 6020 TRL

The 4-mm-thick, transparent door curtain allows light to pass through and protects against surprises during transport.

Door type V 10008

The V 10008 was specifically developed for large openings and high wind loads of up to 100 km/h.



Flexible High-Speed Doors

Internal and external doors

Door type V 6030 SEL

When the SoftEdge door is used outside, collision damage in everyday work generally does not have any serious effects. Pull and wind loads up to 100 km/h do not pose problems thanks to the spring steel wind lock. You can also optionally obtain the V 6030 SEL with aluminium bottom profile.

Door type V 6020 TRL

The 4-mm-thick, transparent door curtain allows light to pass through and protects against surprises during transport. Optionally, a version with coloured fabric material with or without vision field is available. The coloured fabric curtain is available for door sizes from 25 m².

Door type V 10008

The external door was specifically developed for large openings and high wind loads. Double lashing straps, lateral twin rollers and especially wide side guides ensure safe door travel even with a high door curtain weight. The spring steel wind locks also allow for wind loads of up to 100 km/h.



V 6030 SEL
Stabilising spring steel wind lock



V 6030 SEL
Tensioning system for reliable door travel



V 6020 TRL
Transparent for more light and visual contact



V 6020 TRL
Aluminium bottom profile for more stability



V 10008
Stabilising spring steel wind lock

**For external doors we recommend
using a wind monitor**

Features

Door type	V 6030 SEL	V 6020 TRL	V 10008
Suitable application	Interior / exterior	Interior / exterior	Interior / exterior
Size range			
Max. width (mm)	5000	6000	10000
Max. height (mm)	6000	7000	6250
Speed with control	BK 150 FU E-1	BK 150 FU E-1 ¹⁾ (AK 500 FUE-1) ²⁾	AK 500 FUE-1
Max. opening (m/s)	2.0	2.0 (2.0)	1.5 (0.8) ⁵⁾
Closing approx. (m/s)	0.8	0.5 (0.5)	0.4
Resistance to wind load (EN 12424)			
Door width ≤ 4000 mm	Class 2	Class 2	Class 4
Door width > 4000 mm ≤ 5000 mm	Class 2	Class 2	Class 3
Door width > 5000 mm		Class 2	Class 2
Curtain			
	PVC, spring steel wind locks with lateral twin rollers and tensioning system	PVC, spring steel wind locks with lateral twin rollers and tensioning system	PVC, spring steel wind locks with lateral twin rollers and double tensioning system
Temperature range (deviating temperatures on request)	+5° C to +40° C	+5° C to +40° C	+5° C to +40° C
Fabric thickness (mm)	1.5	2.4	1.5
Vision panel thickness (mm)	2.0	4.0	2.0
Fully transparent curtain (mm)		4.0	
Curtain colours			
RAL 1018 Zinc yellow	●	W	●
RAL 2004 Pure orange	●	W / G	●
RAL 3002 Carmine red	●	W	●
RAL 5010 Gentian blue	●	W / G	●
RAL 7038 Agate grey	●	W / G	●
Emergency opening			
Emergency crank handle	●	●	-
Emergency hand chain	○	○	●
Automatic door opening via UPS in case of power failure	○	○	-
● = Standard ○ = Optional			All colours based on RAL
W = Wind lock strips G = Optional fabric colour.			

¹⁾ Up to 95 kg; ²⁾ From 95 kg; ³⁾ Up to 200 kg; ⁴⁾ From 200 kg or optional; ⁵⁾ From 6000 mm door width

Curtain colours



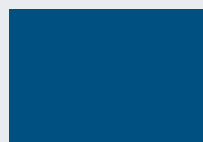
RAL 1018
Zinc yellow



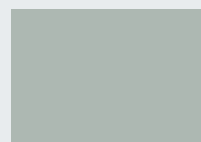
RAL 2004
Pure orange



RAL 3002
Carmine red



RAL 5010
Gentian blue



RAL 7038
Agate grey

Flexible High-Speed Doors

Internal doors for special applications



Door type V 4015 Iso L for cold and fresh logistics

The energy-efficient internal door is the ideal choice for refrigerated warehouses up to 1° C.
(Door shown with on-site protection frame)

Door type V 2012 for supermarkets

The fully equipped door was especially developed as a safe internal door in commercial enterprises with high customer frequency. In addition, it is also possible to print the curtain individually.





Door type V 3015 Clean for clean rooms

The door for clean rooms with pressure differences combines a high degree of tightness with complete transparency.

Door type V 2515 Food L for the food industry

Thanks to a construction made entirely of stainless steel, the door can be very easily cleaned with high-pressure cleaners and water.



Flexible High-Speed Doors

Internal doors for special applications

Door type V 4015 Iso L

The door with energy-efficient insulated curtain in internal areas for cold and fresh logistics (up to +5° C). The optional ThermoFrame separates the frame from the building structure, thus improving thermal insulation by up to 15 %.

Door type V 2515 Food L

This door has been specifically designed for the food industry and features side guides that are particularly easy to clean. High-pressure cleaning systems and water are not a problem for the door construction, which is made entirely of stainless steel. No counter weights or springs complicate the cleaning of the frame.

Door type V 2012

Full equipment with operator and shaft cover, standard light grille (monitoring height 350 mm) and automatic emergency opening via a counter weight (in case of power failure) make this flexible plastic curtain door a safe choice for indoor areas with a high customer frequency.

Door type V 3015 Clean

Air purification in clean rooms can result in a pressure difference of up to 50 Pa. The fully transparent curtain of the V 3015 Clean is tightly integrated in the special side guides. This minimizes air loss (leakage) and enables an optimum design for ventilation systems. A stainless steel cover on the shaft and operator, and welded-on spring steel stabilisation are further characteristics of this door.



V 4015 Iso L
Stabilising wind lock



V 4015 Iso L
PE foam in curtain pockets



V 2515 Food L
Standard EPDM seal



V 2515 Food L
Easy to clean: shaft, side elements and control cabinet are made entirely of stainless steel.



V 2012
Light grille concealed in the door guide



V 2012
Custom printing possible



V 3015 Clean
Extremely leaktight and fully transparent



V 3015 Clean
Curtain tightly integrated in the side guides

Features

Door type	V 4015 Iso L	V 2515 Food L	V 2012	V 3015 Clean
Suitable application	Interior	Interior	Interior	Interior
Size range				
Max. width (mm)	4000	2500	2500	2500
Max. height (mm)	4500	4000	2500	3000
Speed with control	BK 150 FU E-1	BS 150 FU E-1	BK 150 FU E-1	BS 150 FU E-1
Max. opening (m/s)	1.5	1.2	1.2	1.5
Closing approx. (m/s)	0.5	0.5	0.5	0.5
Thermal insulation (EN ISO 12424)				
U-value in W/(m ² ·K)	1.6			
Curtain				
	Insulating curtain, with a 20 mm thick PE foam infill	UPVC, spring steel wind locks	UPVC, spring steel wind locks	UPVC, spring steel wind locks with lateral twin rollers
Temperature range	+1° C to +40° C	+5° C to +40° C	+5° C to +40° C	+5° C to +40° C
Fabric thickness (mm)		1.5	1.5	
Vision panel thickness (mm)		2.0	2.0	
Fully transparent curtain (mm)				4.0
Curtain colours / wind lock strip colours (based on RAL)				
RAL 1018 Zinc yellow	–	●	●	W
RAL 2004 Pure orange	–	●	●	W
RAL 3002 Carmine red	–	●	●	W
RAL 5010 Gentian blue	–	●	●	W
RAL 7038 Agate grey	●	●	●	W
ThermoFrame	○	–	–	–
Emergency opening				
Emergency crank handle	●	–	–	●
Counter weight with operating current brake	–	–	●	–
Automatic door opening via UPS in case of power failure	○	○	–	○
● = Standard ○ = Optional W = Wind lock strips				
All colours based on RAL.				

Curtain colours



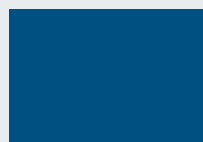
RAL 1018
Zinc yellow



RAL 2004
Pure orange



RAL 3002
Carmine red



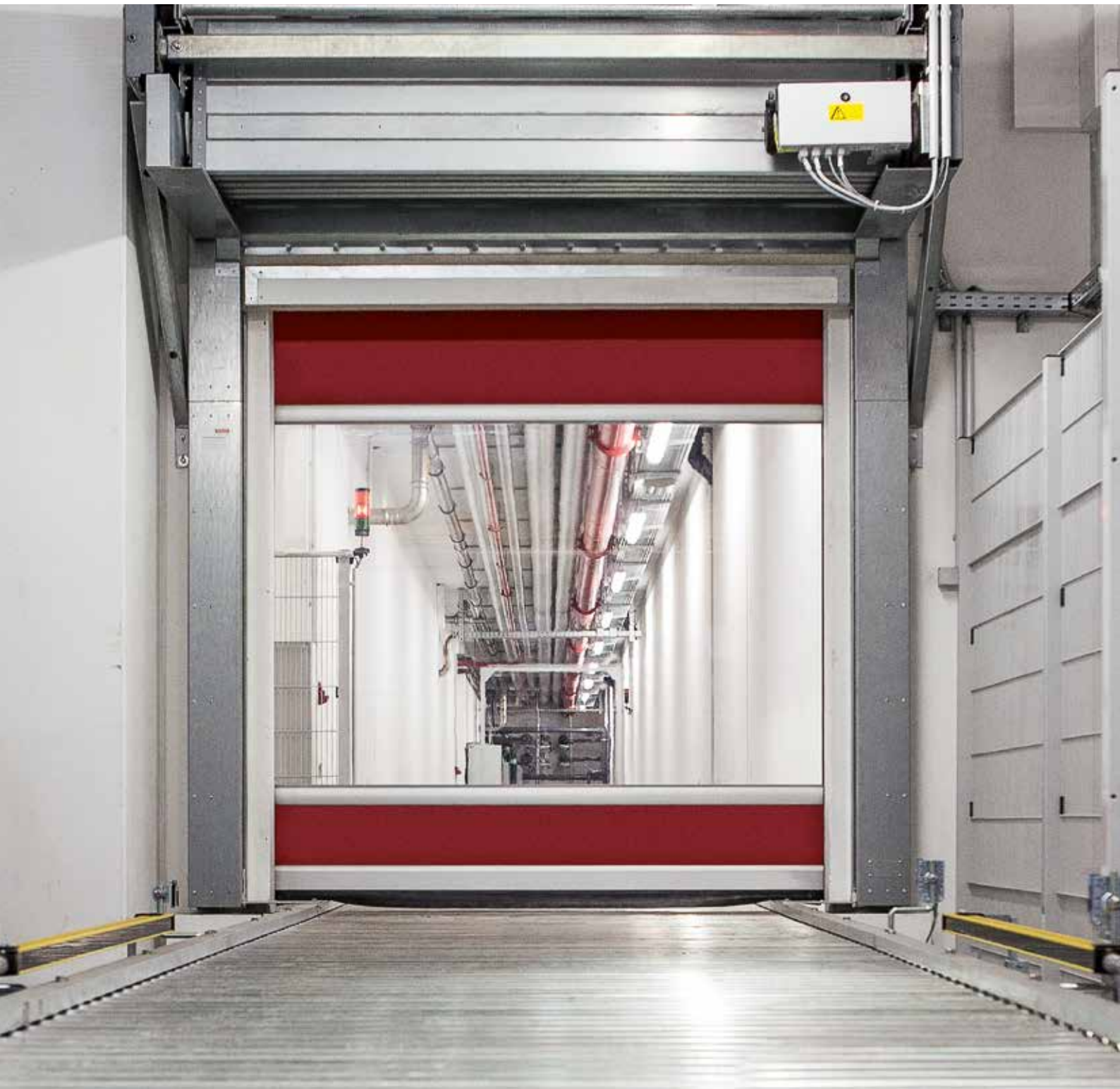
RAL 5010
Gentian blue



RAL 7038
Agate grey

Flexible High-Speed Doors

Internal doors for individual needs



Door type V 3009 Conveyor

The V 3009 Conveyor is fitted between the operating sections and the storage areas within the conveyor system and is used to save energy and reduce draughts and noise.



Door type V 5030 MSL

The flexible high-speed door with machine protection function protects operating personnel thanks to a monitored complete partitioning of the machine and provides fast access when needed.



Flexible High-Speed Doors

Internal doors for individual needs

Door type V 5030 MSL

The requirements for work safety and production processes are constantly increasing. Short downtimes, easy and quick access for operation and maintenance of the production machines and of course the safety of the employees are all important for smooth production. The V 5030 MSL was developed specifically for this application.

Door type V 3009 Conveyor

Due to the low lateral space requirements, this door is specifically designed for integration in conveyor systems and their frequent automated opening and closing cycles. The door control can be integrated in existing PLC systems. A volt-free contact reports the door position (open / closed) to the control.



V 5030 MSL

Thanks to the safety sensors the door can open only when the machine is idle and the machine can be operated only when the door is closed.



V 3009 Conveyor

A vision panel gives insight into the operating procedure.

Features

Door type	V 5030 MSL	V 3009 Conveyor
Suitable application	Interior	Interior
Size range		
Max. width (mm)	4000	3500
Max. height (mm)	4000	3500
Speed with control	BK 150 FU E-1 ¹⁾ (AK 500 FUE-1) ²⁾	AKE (BK 150 FU E-1) ³⁾
Max. opening (m/s)	1.5 (1.5)	0.8 (1.2)
Closing approx. (m/s)	0.8 (0.8)	0.8 (0.5)
Resistance to wind load (EN 12424)		
Door width ≤ 4000 mm	Class 1	
Curtain	UPVC, spring steel wind locks	UPVC, aluminium wind reinforcement laths
Temperature range	+5° C to +40° C	+5° C to +40° C
Fabric thickness (mm)	2.4	1.5
Vision panel thickness (mm)		2.0
Fully transparent curtain (mm)	4.0	
Curtain colours		
RAL 1018 Zinc yellow	W	●
RAL 2004 Pure orange	W / G	●
RAL 3002 Carmine red	W	●
RAL 5010 Gentian blue	W / G	●
RAL 7038 Agate grey	W / G	●
Emergency opening		
Emergency crank handle	●	●
Springs with pull cord	-	-
Automatic door opening via UPS in case of power failure	○	○ 4)
Springs with operating current brake	-	-
<p>● = Standard ○ = Optional All colours based on RAL W = Wind lock strips G = Optional fabric colour.</p>		

¹⁾ Up to 95 kg; ²⁾ From 95 kg; ³⁾ Optional; ⁴⁾ Only in conjunction with control BK 150 FU E-1

Curtain colours



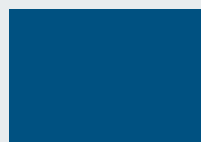
RAL 1018
Zinc yellow



RAL 2004
Pure orange



RAL 3002
Carmine red

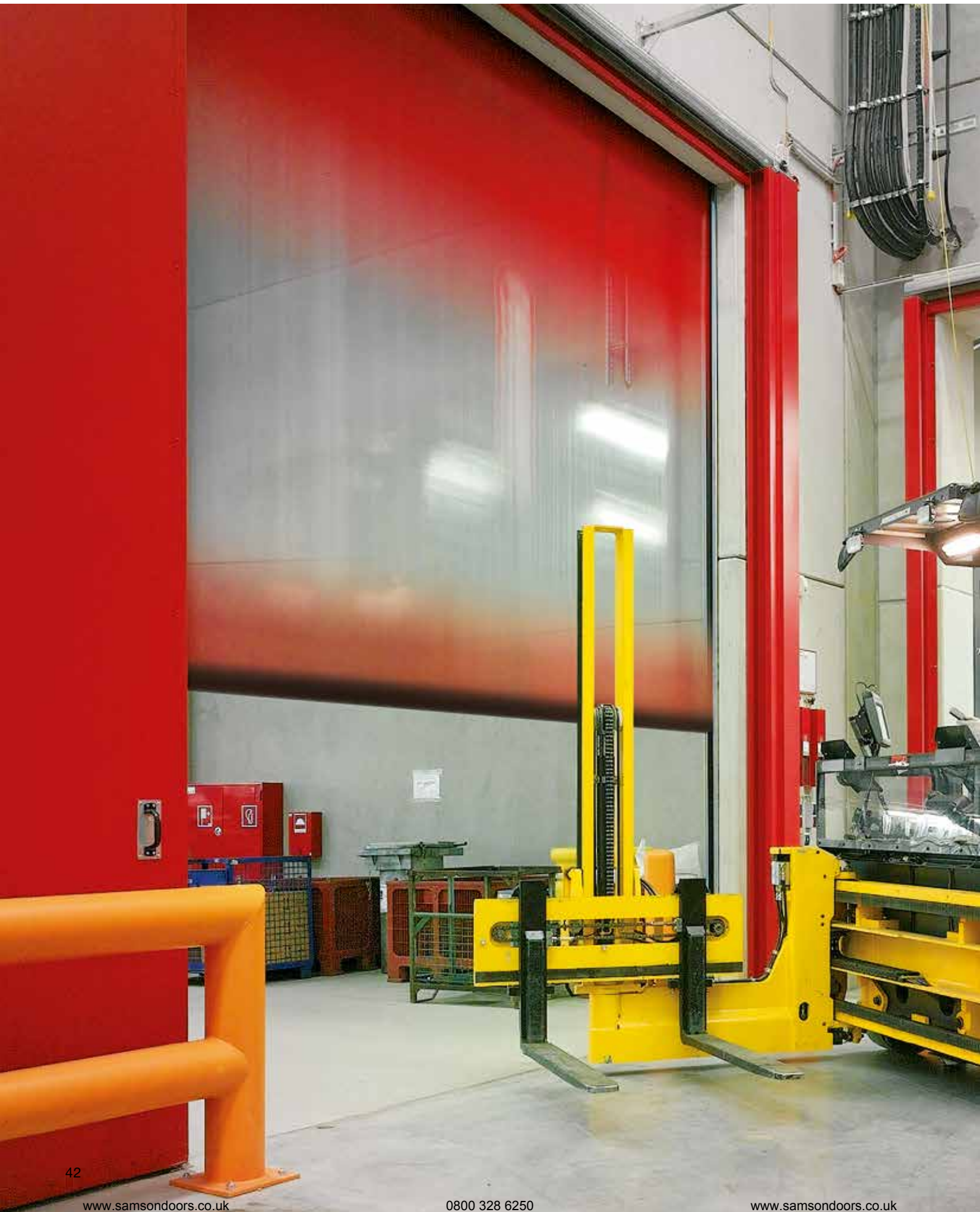


RAL 5010
Gentian blue



RAL 7038
Agate grey

Intelligent Operator and Control Technology Standard at Hörmann





Reliable thanks to innovative equipment

Hörmann high-speed doors are up to 20 times faster than conventional industrial doors. This is why the intelligent operator and control technology is designed for reliable continuous operation.

Standard at Hörmann:

✓ Frequency converter control

High performance frequency converter controls (FU) feature higher speeds and relieve the complete door mechanism which, in turn, extends the service life of the door considerably.

✓ Door cycle counter

✓ Operation time monitoring

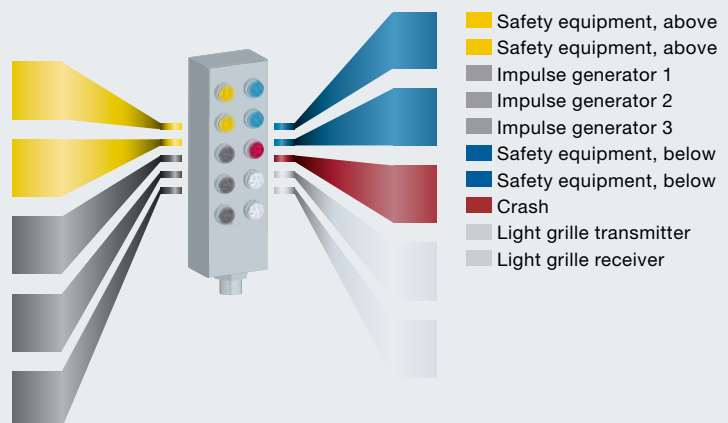
✓ Automatic timer (adjustable hold-open phase)

✓ Error display / diagnosis via a 4 x 7-segment display

✓ Service operation setting

✓ Colour-coded plug-in control wiring

Connection of accessory components and safety devices is made easy with colour-coded plug-in connections and connection cables. This makes fitting for initial electrical start-up quick and easy.



FU Controls

Standard at Hörmann



BK 150 FU E-1 FU control in plastic housing, IP 54, 1-phase, 230 V

Operation

Open-Stop-Close membrane push button, 4x 7-segment display to provide information on door functions

Function

Automatic timer, adjustable hold-open phase, safety light grille, closing edge safety device (H 3530, V 3015 Clean), stop/reopen

Impulse generator

Push button, pull switch, mushroom button, radar presence detector, slots for induction loop detector and remote control

Extension options

Main switch, emergency off button, traffic light, flashing warning light, locking, intermediate stop, extension PCB
Steel cabinet IP 54
Stainless steel cabinet IP 65

Wiring

Connecting lead 1~230 V, N, PE, fuse 16 A, slow-acting, plug-in connection between door operator and control cabinet, CEE plug, 3-pin with 1 m cable for on-site CEE socket, 16 A
Colour-coded plug-in control wiring

Housing dimensions

230 x 460 x 200 mm

Compatible door types

V 4015 SEL Alu-R
V 5015 SEL
V 5030 SEL
V 6030 SEL
V 6020 TRL (up to 95 kg)
V 5030 MSL (up to 95 kg)
V 2012
V 4015 Iso L
V 3009 Conveyor
V 3015 Clean

AK 500 FUE-1 FU control in plastic housing, IP 54, three-phase, 400 V

Operation

Open-Stop-Close membrane push button, emergency-off button, 4 x 7-segment display for information on door functions, lockable main switch

Function

Automatic timer, adjustable hold-open phase, safety light grille, closing edge safety device (V 10008, Iso Speed Cold), stop / reopen

Impulse generator

Push button, pull switch, mushroom button, radar presence detector, slots for induction loop detector and remote control

Extension options

Traffic light, flashing warning light, locking, intermediate stop, extension circuit board, steel cabinet IP 54
Stainless steel cabinet IP 65

Wiring

Connecting lead 3 ~ 400 V, N, PE, fuse 16 A, slow-acting, plug-in connection between door operator and control cabinet, connecting lead cross section 5 x 2.5 mm² (depending on national standards), colour-coded plug-in control wiring

Housing dimensions

230 x 460 x 200 mm

Compatible door types

HS 7030 PU 42
HS 5015 PU N 42
HS 5015 PU H 42
HS 6015 PU V 42
HS 5015 PU H 67
HS 6015 PU V 67
HS 5015 Acoustic H
Iso Speed Cold H 100
Iso Speed Cold V 100
V 10008
V 5030 SEL
V 6030 SEL
V 6020 TRL (from 95 kg)
V 5030 MSL (from 95 kg)

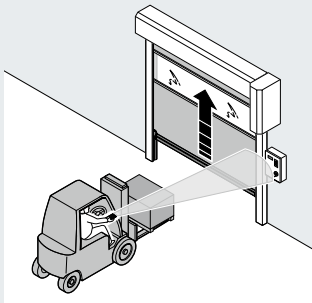
Extension PCB for controls: **BK 150 FU E-1 (E FU H)** **AK 500 FUE-1 (E FU H)**

E FU H

Lock controller,
6 additional switch outputs
(1 x 4, 2 x 1 volt-free)
6 additional digital inputs

Accessories

Options for operation:



Radio remote controls



**1-button hand transmitter
HS 1 BS**

Black structured surface with chrome caps



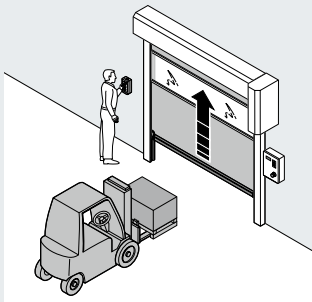
**Industrial hand transmitter
HSI BS**

To control up to 1000 doors, with a display and extra-large quick selection buttons for easier operation with work gloves, transferring of hand transmitter coding to other devices possible



**Receiver HER 1
(1-channel)**

with volt-free relay output in a separate housing without connecting lead or as a **plug-in circuit board in the control cabinet**



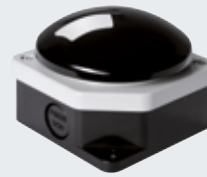
Manually operated impulse generators



Push button
2 x "Open / Close"
Plastic housing, IP 65



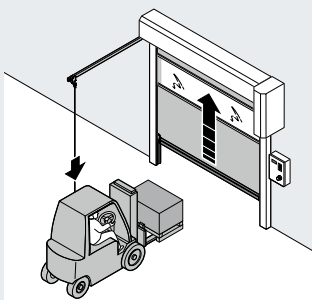
Push button
3 x
"Open / Emergency-off / Close"
Plastic housing, IP 65



Mushroom button
With large operating surface
Plastic housing, IP 65



Magic switch
Sensor for non-contact opening
Plastic housing, IP 52



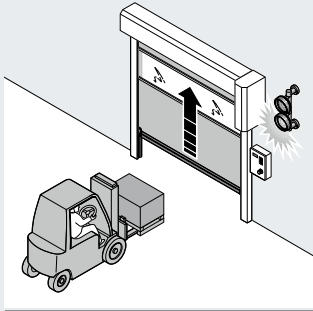
Manually operated impulse generators



Pull switch with plastic pull cord
Horizontal or vertical fitting possible, aluminium die-cast housing, IP 65, cord length 4 m

Accessories

Controlling options, safety equipment



Safety equipment



**Warning light
Ø 150 mm**
Red, in plastic
housing with
mounting strap, IP 65

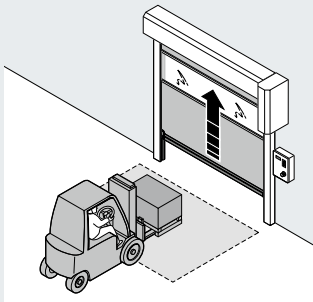
**Warning light
Ø 150 mm**
Red, green,
in plastic housing,
with fitting support,
IP 65



**Rotating
warning light**
Red or yellow,
in plastic housing,
IP 54



**Flashing
warning light**
Orange, in plastic
housing, IP 65



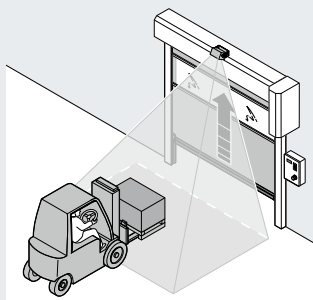
Control / induction loops



External control element for FUE-1
For easy operation and programming, can be
placed independent from the control, same
control buttons as on the control as well
as 4 x 7-segment display



Induction loop detector
1 or 2-channel plug-in print suitable for two
separate induction loops, supplied without
loop cable



Remote controls / sensors



Radar movement detector MWD-C
Fast and targeted automatic door opening,
directional recognition, max. fitting height 7 m,
fitting in cold store possible up to max. -22° C,
housing protection category IP 65



3D laser scanner Scanprotect
Field monitoring with seven laser beams arranged
at an angle in accordance with the principle of
measuring the travel of light, individual evaluation
options, particularly suitable for use outside,
housing protection category IP 65